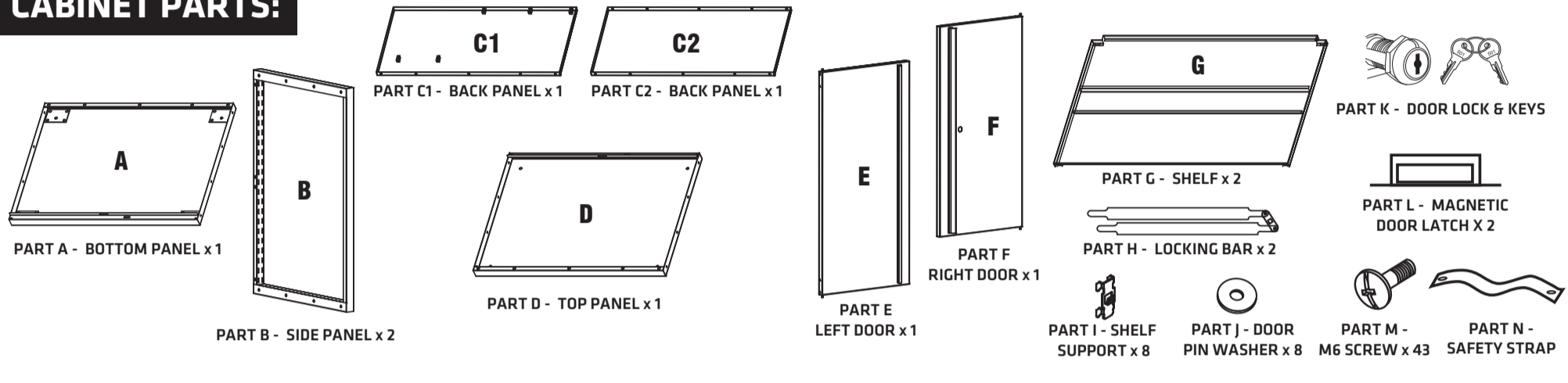


### YOUR HEADACHE-FREE GUIDE TO RACK IT LIKE A BOSS

You've got this. We know because you take pride in your passions. Take care of your stuff. That's why you purchased this Rack It Pro 2 Door Cabinet. You're particular. And we like that. Because we know you'll take the time to check off all the Parts listed below and to read through these Assembly Instructions before you start. Cue Farnsey (or Beyoncé - whatever lifts you). **Let's do this.**

### CABINET PARTS:



**PLEASE NOTE:** If using an electric screwdriver only loosely tighten screws, finish tightening with hand screwdriver to avoid damage.



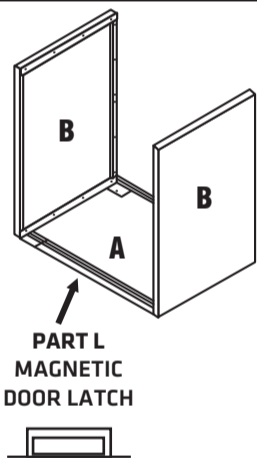
### STAGE 1: BOX IT

#### STEP 1

Your cabinet starts here. With Bottom Panel (A). Like the foundations of a house. So when you're fixing on Side Panels (B), think: do I want to rush the foundations? The answer is, of course, no way.

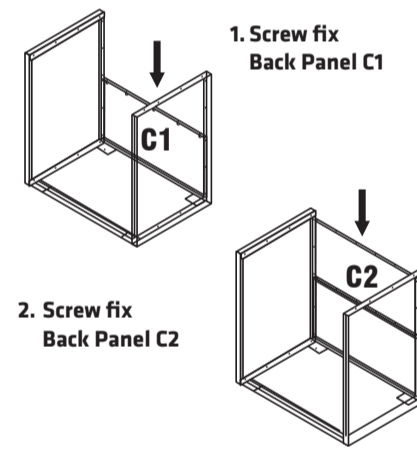
Start on a flat surface. Once you've screwed off your Side Panels, fit one Magnetic Door Latch (L) into the pre-punched hole at the front.

**Hot tip:** Make sure the Pre-Punched Screw Holes on Bottom Panel (A) are to the back.



#### STEP 2

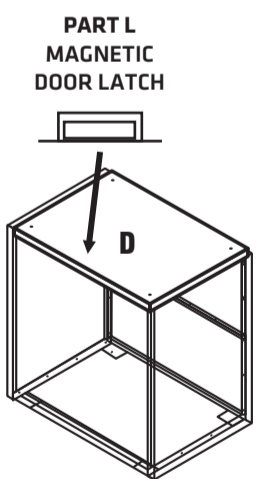
Grab your 2x Back Panels (C1 & C2). Fix the bottom of C1 to your Bottom Panel (A). Once C1's screwed in place, you can fix its buddy C2 on top.



**Hot tip:** It's easy to tell C1's bottom from its top because it has 5x M6 Nuts pre-fitted along its Bottom Lip.

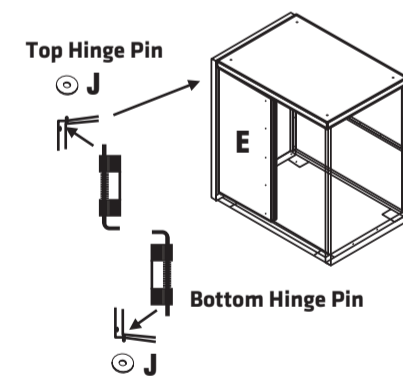
#### STEP 3

You've only just started and it's already time to attach your roof. As you screw your Top panel (D) in place be sure to check the hole for your Magnetic Door Latch is at the FRONT of the cabinet. Fit the other Magnetic Door Latch (L) and you're done.



#### STEP 4

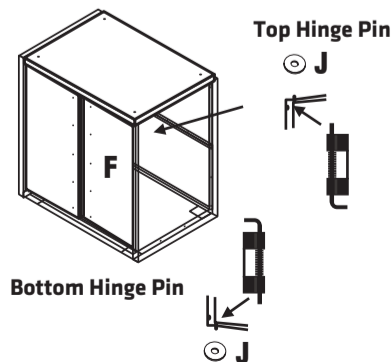
Grab your Left Hand Door (E). Fit the supplied Washers to the Top and Bottom Hinge Pins, so they sit between the Hinges and the Cabinet. The Hinge Pins are spring loaded. Handy, right? Just retract the pins far enough to slip them into the pre-drilled holes and your door is on.



**Hot tip:** It's easy to tell the Left Hand Door (E) from the Right Hand Door (F) the Right Hand Door (F) has a hole to fit the Lock.

#### STEP 5

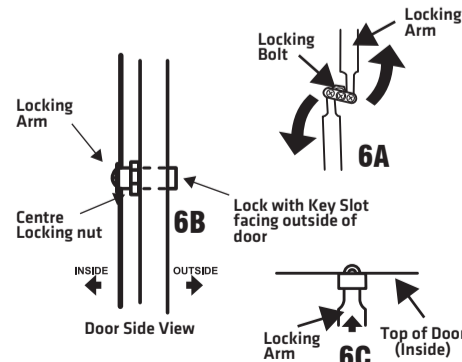
Repeat Step 4 with your Right Hand Door.



#### STEP 6

Grab your Locking Bars (H) and open them out (as shown in image 6A). Insert the Lock Bolt (K) through the hole in your Right Hand Door, with the Key Slot facing outwards. Secure the central Locking Bolt of your Locking Bars to the inside of the Lock Bolt (as shown in image 6B). Secure the inside of the Lock Bolt with the Lock Nut and you can climb out of your Cabinet cave. Back in your cave! Insert the top and bottom of your Locking Bars into the Mounts at the top and bottom of the inside of your Door (as shown in image 6C).

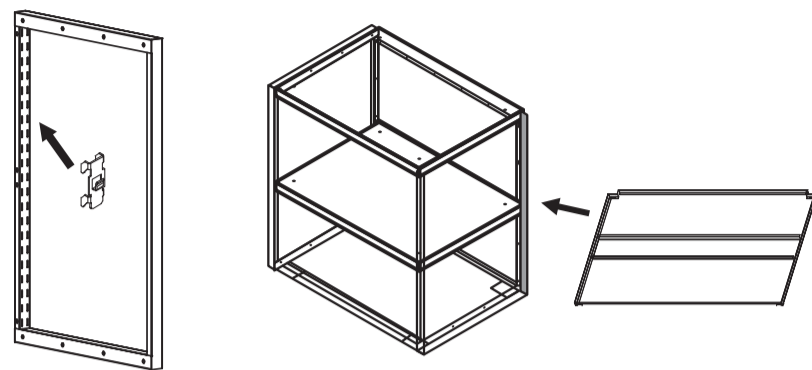
**Hot tip:** It can be dark in your Cabinet cave so, if you've got one handy, grab a torch.



### STEP 7

Before you spring into action here, think: how big is the stuff I'm storing in here? You've got the option of adding 2x Shelves, if you need them. You could place both shelves in the top half of the Cabinet, if you want bigger stuff down low. Or get zany and leave one out altogether. It's your Cabinet. This is your chance to put your stamp on it. Fit 4x Shelf Supports (I) into the vertical track in the corners of your Cabinet for each shelf at the desired height. Place each Shelf onto the Shelf Supports and you're done.

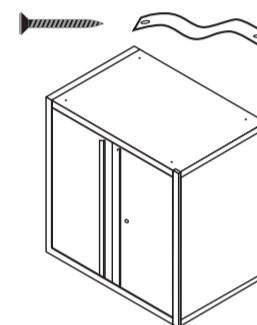
**Hot tip:**  
The cut-out corners of the Shelves fit into the back of the Cabinet



### YOU'VE DONE IT! CUE WARM INNER FEELING OF SATISFACTION.

Stand back and marvel at your Rack It PRO 2 Door Cabinet. Now all that's left to do is find the right space to put it. Be sure to fix the Safety Strap to the Top Panel of your Cabinet with a self-drilling TEK screw, and attach the other end of the strap to the wall – so it doesn't do anything crazy, like tip over.

**We knew you had it in you!**



### OPTIONS

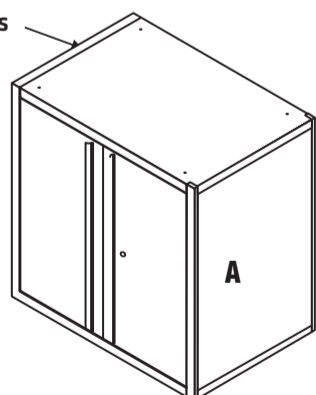
Now is the time to enjoy tossing these instructions in the recycling. And, don't forget, if rolling's your thing, you can add Rack It PRO Castors (sold separately). And if you want to take your Cabinet to the next level, it's easy to fix a Rack It PRO 2-Door Unit on top.

**RACK IT PRO CASTOR KIT** (Item 01907, sold separately).  
Easily fix castors to make a rolling 2 Door Cabinet.  
Stack and join a **RACK IT PRO 2 DOOR UNIT** (item 01902) on top of your **RACK IT PRO 2 DOOR CABINET**.  
**WARNING: DO NOT STACK 2 x 4 DRAWER CABINETS.**  
The Top Panel (Part E) is supplied with 4 x pre-fitted nuts.  
The Bottom Panel of the 2 DOOR unit has matching pre-punched holes so the 2 units can be bolted together.

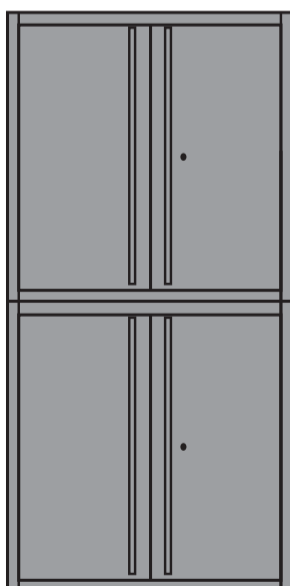
#### JOINING 2 RACK IT PRO UNITS TOGETHER

#### DO NOT FIX 2 x 4 DRAWER UNITS!

4 x fixing points to join 2 units



✓ correct



✓ correct



✗ incorrect



**THIS PRODUCT SHOULD BE ANCHORED TO THE WALL OR OTHER SUITABLE SURFACE TO AVOID SERIOUS INJURY OR DEATH.**

To help avoid any serious injury or death, this product has been supplied with a wall strap to prevent toppling. We strongly recommend that this product be permanently fixed to the wall or other suitable surface. Fixing devices are not included since different surface materials require different attachments. Please seek professional advice if you are in any doubt as to how to permanently fix the product or as to what fixing devices to use. Check anchors regularly.