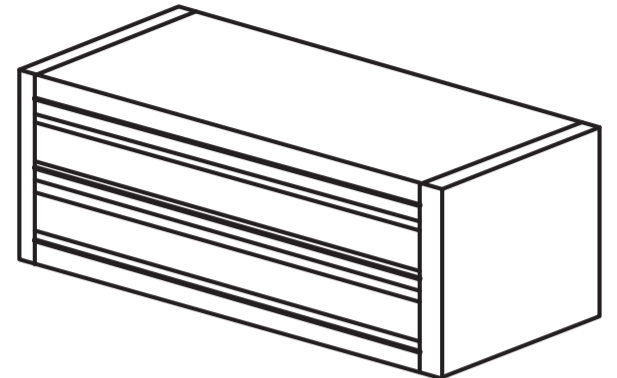


YOUR HEADACHE-FREE GUIDE TO RACK IT LIKE A BOSS

You've got this. We know because you take pride in your passions. Take care of your stuff. That's why you purchased this Rack It PRO 2 Drawer Unit. You're particular. And we like that. Because we know you've already noticed that your Unit has arrived fully assembled, and you're checking to see that all the bits are in place. You're winning already. These Fixing Instructions show you how to screw-fix your Unit to a Rack It 15mm MDF Shelf to prevent the drawer from moving.

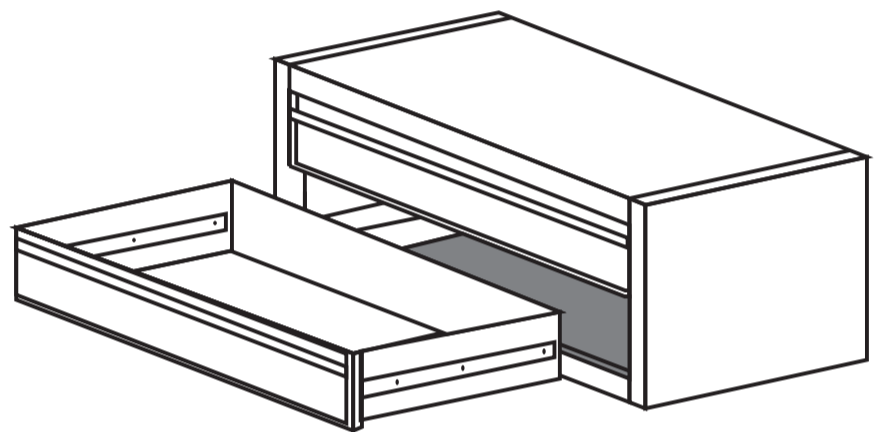
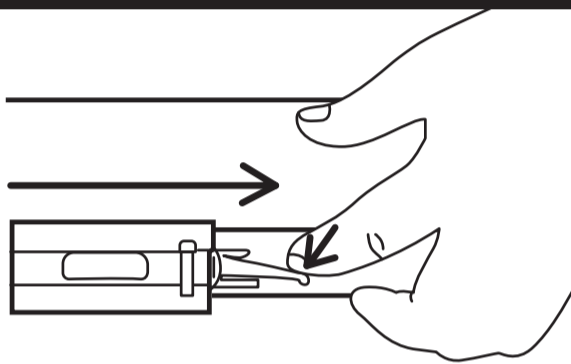


Cue Farnsey (or Beyoncé – whatever lifts you). **Let's do this.**

REMOVE THE BOTTOM DRAWER

STEP 1

Gently pull the Bottom Drawer out to full extension. Press down on the Black Toggles (as shown) and keep pulling until you feel the catches release and the Drawer slides free of its Runners.



Hot tip:

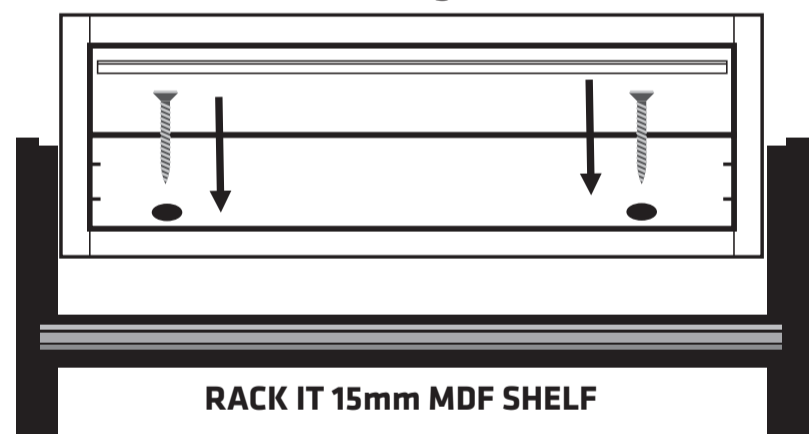
Don't leave your free Drawer to its own devices for too long: put it in a safe place, away from accidental kicking feet, pets or other hazards.

SCREW FIX THE CABINET TO THE MDF SHELF

STEP 2

Look closely (use a torch if required) and you'll spot 2x 5mm Screw Holes in the Bottom Panel of your Unit. Fix some screws (any type shorter than 15mm that works for you) through the holes into the Shelf.

Fix screws through the holes



REASSEMBLE DRAWER AND CABINET

STEP 3

Carefully line up the Inner and Outer parts of the Drawer Runners. Once both sides are touching, push the Drawer gently closed, making sure both sides' Inner and Outer Drawer Runners find a sweet embrace. Open and close the Drawer a few times until you feel both Runners fully engage.



You've done it! Cue warm inner feeling of satisfaction.

Stand back and marvel at your Rack It PRO 2 Drawer Unit. **We knew you had it in you!**