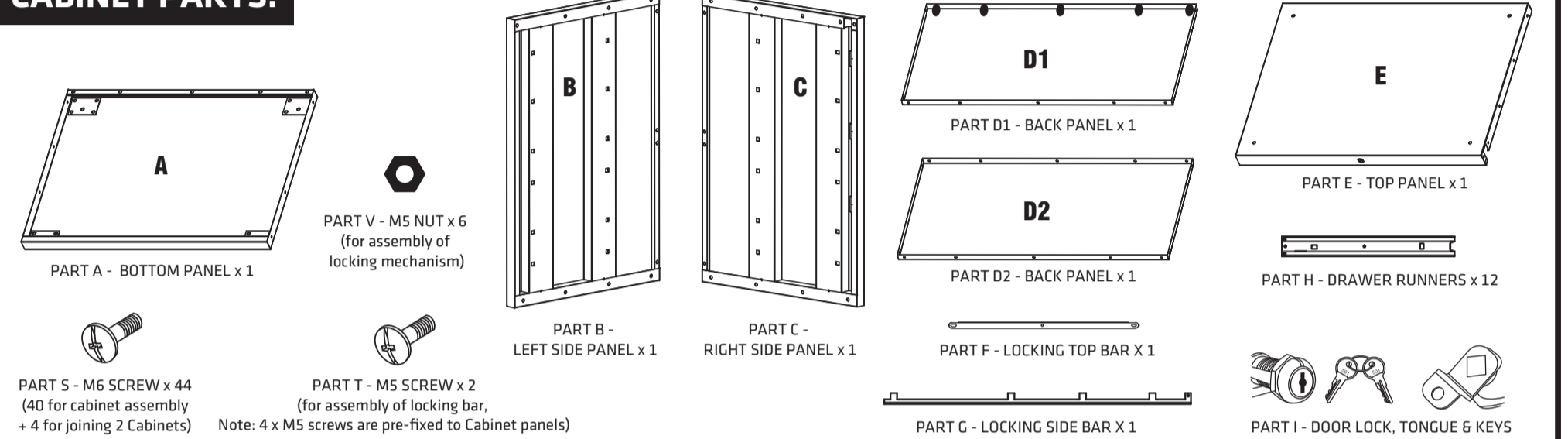


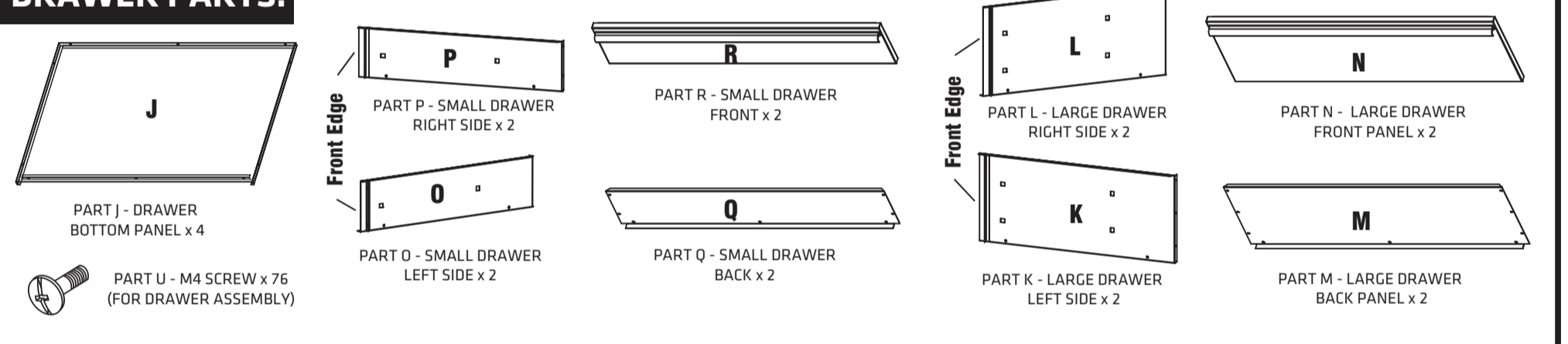
YOUR HEADACHE-FREE GUIDE TO RACK IT LIKE A BOSS

You've got this. We know because you take pride in your passions. Take care of your stuff. That's why you purchased this Rack It PRO 4 Drawer Cabinet. You're particular. And we like that. Because we know you'll take the time to check off all the Parts listed below and to read through these Assembly Instructions before you start. Cue Farnsey (or Beyoncé - whatever lifts you). **Let's do this.**

CABINET PARTS:



DRAWER PARTS:



PLEASE NOTE: If using an electric screwdriver only loosely tighten screws, finish tightening with hand screwdriver to avoid damage.



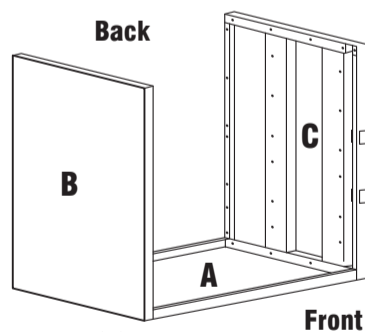
STAGE 1: BOX IT

STEP 1

Your Cabinet starts here. With Bottom Panel (A). Like the foundations of a house. So when you're fixing on Side Panels (B & C), think: do I want to rush the foundations? The answer is, of course, no way.

Hot tips:

1. Make sure the pre-punched screw holes on Bottom Panel (A) are to the back.
2. Make sure the narrowest gap between the boxy ridges on the interior and the front edge of each Side Panel is to the front.
3. Make sure the square fixing points for the Drawer Runners line up. You'll thank us later.
4. Your Right Side Panel (Part C) is the one with the row of pre-fixed bolts down the front inside channel

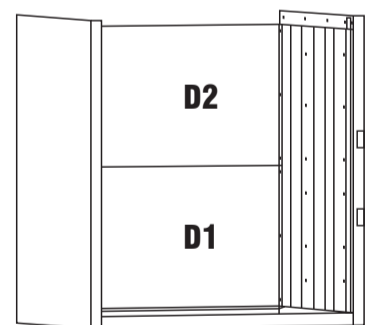


STEP 2

Grab your 2x Back Panels (D1 & D2). Fix the bottom of D1 to your Bottom Panel (A). Once D1's screwed in place, you can fix its buddy D2 on top.

Hot tip:

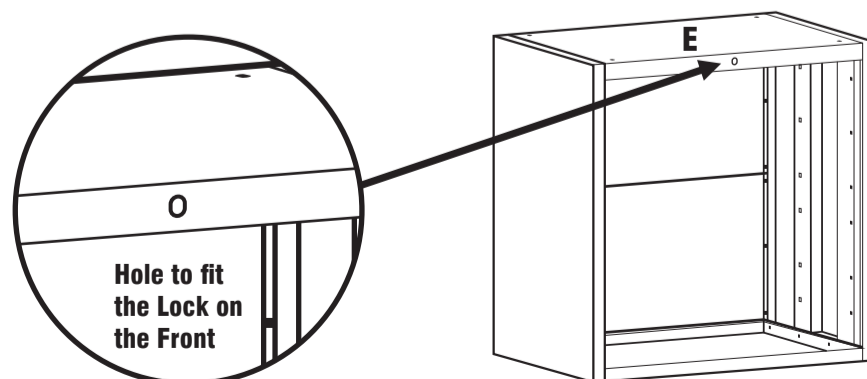
It's easy to tell D1's bottom from its top because it has 5x M6 Nuts pre-fitted along its Bottom Lip.



STEP 3

You've only just started and it's already time to attach your roof. As you screw it in place be sure to check the hole for your lock is at the FRONT of the Cabinet. It can be dark inside your box/cave, so if you need to, use a torch!

You've boxed It. Cue roof shout! And let's move onto Stage 2...

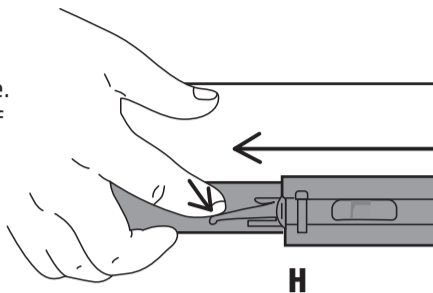


STAGE 2: RAIL IT

STEP 1

Your box is assembled, and now it's time to get all the secret inner-workings in place. Get this part of the process right and you'll enjoy smooth runnings for the lifetime of your Cabinet (no pressure).

Grab your 12x Drawer Runners (H), and gently pull the Inner Runner out to full extension. Push down on the black toggle and keep gently pulling until you feel the catch release and each Runner will separate into 2 parts.



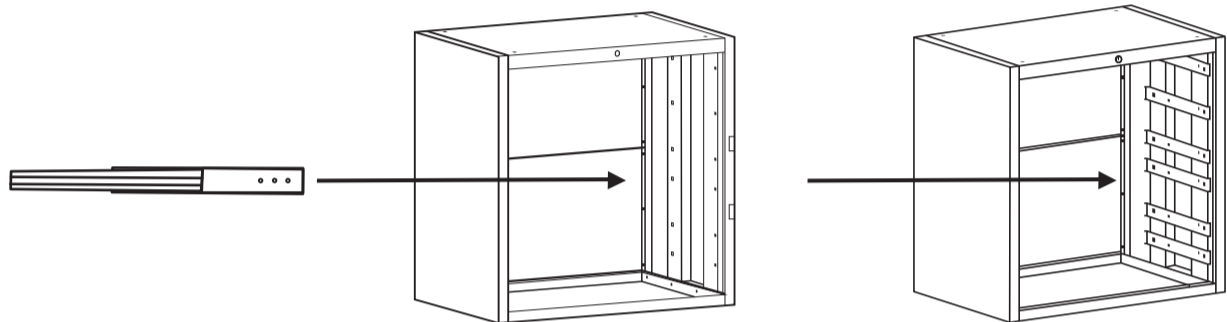
Congratulations, you've unlocked the secret to your Runners' assembly success: each Runner has an Inner bit and an Outer bit.

1. The 12x Outer Runners fix to the inside of your cabinet walls.

2. The 12x Inner Runners fix to the outside of your Drawers.

STEP 2

Fix all the Outer Runners to the square fixing points you diligently lined up way back in Stage 1. Slide the back notch into back square fixing point, then hook the front notch over the top of the front fixing point so it hangs like a, um, hanger.



Hot tips:

1. You can tell the Right Hand Outer Runners from the Left by the way they hang off the fixing points (if they don't hang in place they're meant for the other side).
2. Once all 12 Outer Runners are in place, check the Inner Runners slide in and out easily (like a Sunday morning).

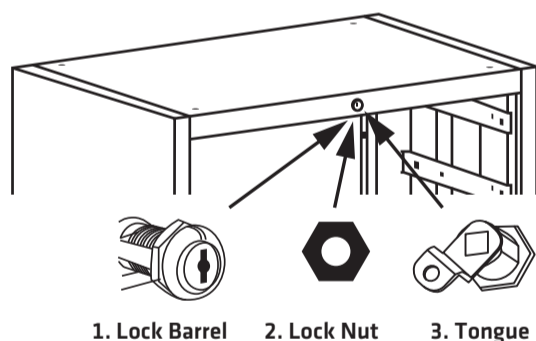
STAGE 3: LOCK IT

STEP 1

This Rack It 4 Drawer Cabinet will be home to your things. Precious things. And as such, we need to secure it from hands that are likely to mess with your stuff. Like those belonging to pesky kids. It's time to make this thing lockable.

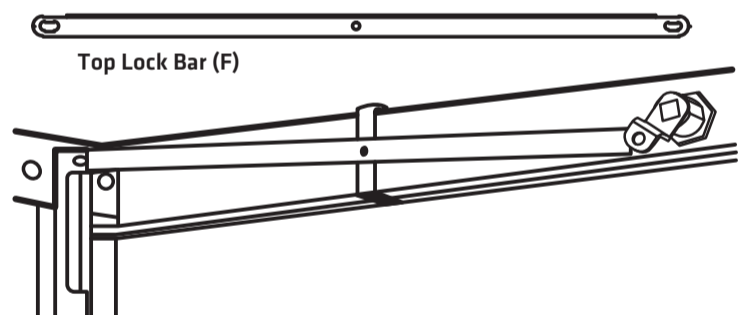
First, remove the Lock Nut and fit the Lock Barrel (1.) through the hole in the Top Panel (the one you double checked was facing outwards in Stage 1).

Then, get in your box/cave. Don't be shy. This bit is fiddly and is best done from within. Fix the Barrel (1.) in place with the Lock Nut (2.). Remove the screw from the inside end of the Barrel and carefully remove the washers. Fit the Lock Tongue (3.) onto the Barrel, replace the washers and screw back into place.



STEP 2

Feel inside the Top Lip of the Top Panel. This channel is where your Top Lock Bar (F) will be hidden. Place the Top Lock Bar on the pre-fixed bolt on the central Pivot Point, and fasten in place with an M5 Nut (not too tightly). Fix one end of the Top Lock Bar to the Lock Tongue with an M5 Nut and Bolt.

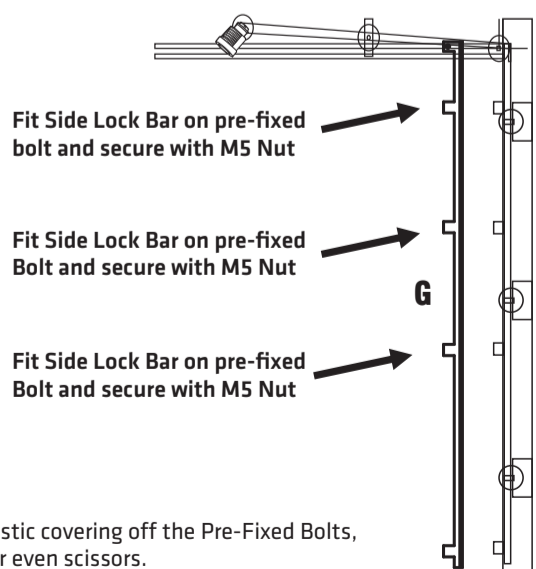


Hot tip:

Pay close attention to the drawing here, as it shows from the inside of your box/cave the angle at which your Top Lock Bar needs to be attached to the Lock Tongue.

STEP 3

Place the Side Lock Bar on the Pre-Fixed Bolts in the channel on the inside of your Right Side Panel (C). Fix the Side Lock Bar in place with (you guessed it!) M5 Nuts.

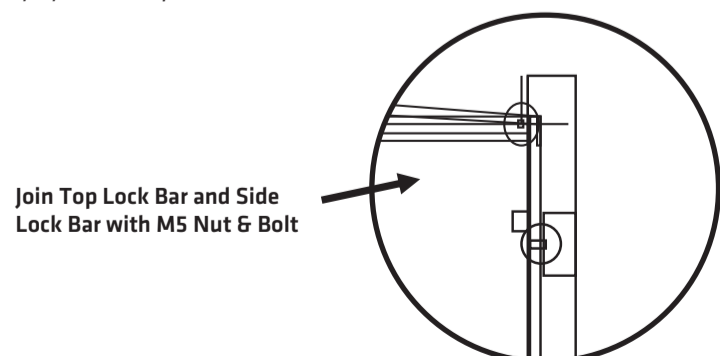


Hot tip:

You may need to remove a thin plastic covering off the Pre-Fixed Bolts, which is easy with a pair of pliers or even scissors.

STEP 4

Connect your Top Lock Bar to the Side Lock Bar with another handy M5 Nut and Bolt (using the socket spanner) and... Bingo-Bango! Your sneaky in-built security system is operational.

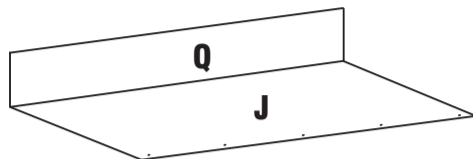


STAGE 4: DRAWER IT

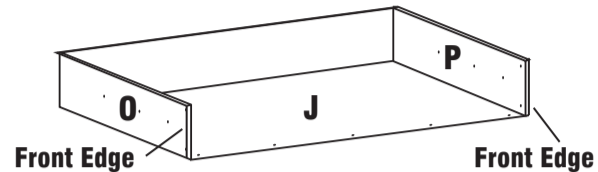
STEP 1 Let's start with the 2x Small Drawers, so your process is sorted before you tackle the big guys. Remember Stage 1, how you Boxed It? Similar theory here:



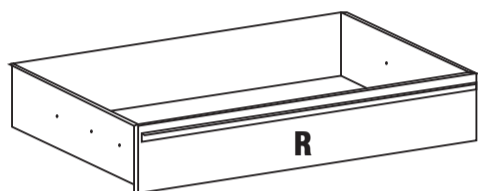
Place 1 of your Bottom Panels (J) on your pre-prepared flat surface. Flat side up! And with the 3x threaded holes to the back.



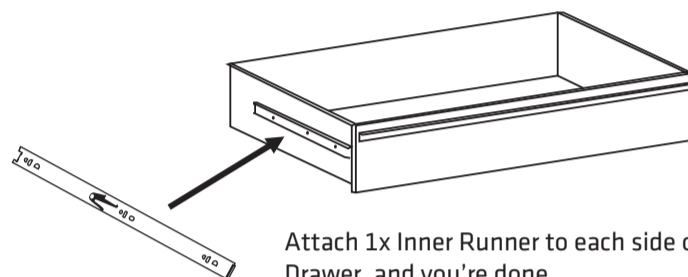
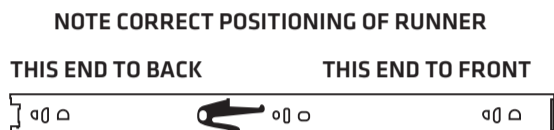
Screw fix on your Back Panel (Q) first (this is important).



Then fix your Side Panels (O & P).



Followed by your Small Front Panel (R).

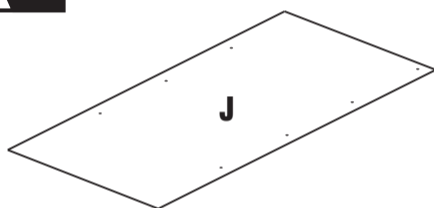


Attach 1x Inner Runner to each side of the Drawer, and you're done.

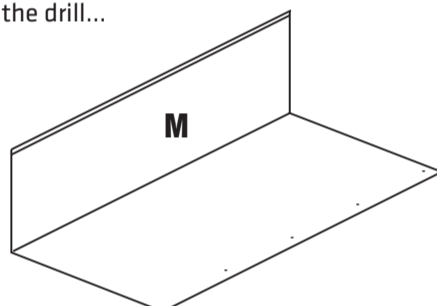
Hot tips:

1. Look at the Parts List on Page 1 to easily differentiate between your Right and Left Side Panels.
2. When you're attaching the Inner Runners, be sure they're the right way around (see diagram) and the front attachment hook is **facing upwards**.

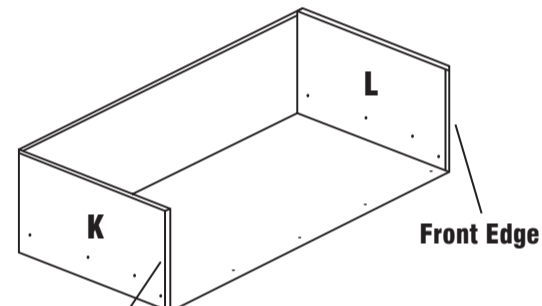
STEP 2 Time to hit 'go' on the 2x Large Drawers. You know the drill...



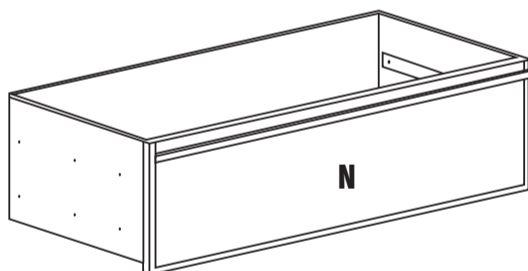
Place a Bottom Panel (J) on your familiar flat surface. Flat side up! And with the 3x threaded holes to the back.



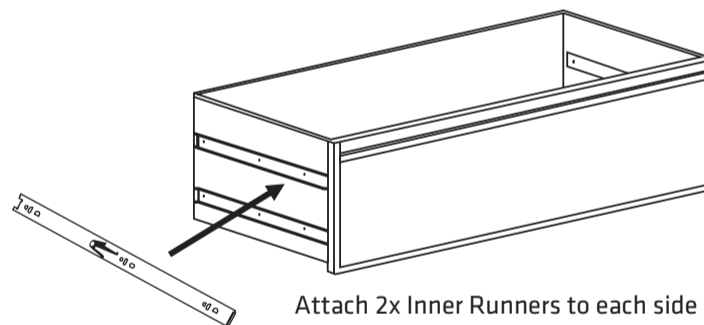
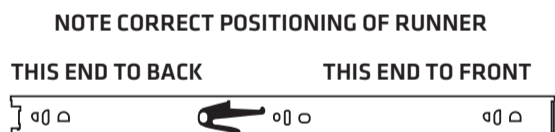
Screw fix on your Back Panel (M) first (this is important).



Then fix your Side Panels (K & L).



Followed by your Large Front Panel (N).



Attach 2x Inner Runners to each side of the Drawer, and you're done.

Hot tips:

1. Look at the Parts List on Page 1 to easily differentiate between your Right and Left Side Panels.
2. When you're attaching the Inner Runners, be sure they're the right way around (see diagram) and the front attachment hook is **facing upwards**.

STAGE 5: RACK IT

STEP 1

All your pieces are complete. Now it's time to slide it all together, then give yourself a hi-five. Now that we're high on confidence, let's start with the Large Drawers...Carefully line up the Inner and Outer Runners on the Large Bottom Drawer and Cabinet Once all the Runners are touching, gently push the Drawer closed. Easy does it: you might need to slightly open and close the Drawer a few times before it all falls into place.

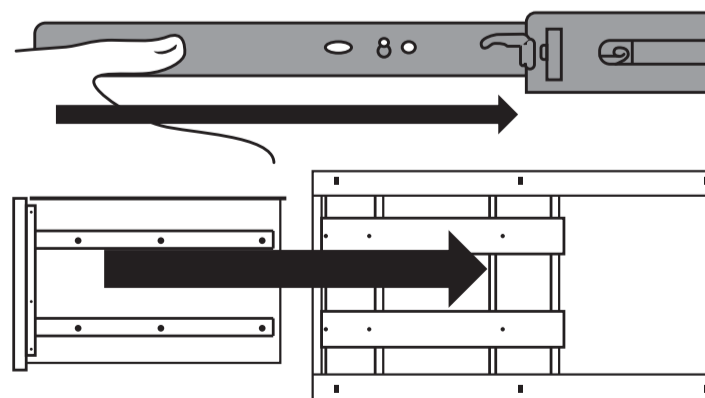
Hot tips:

This can be fiddly, it's way easier with 2x people. Be patient, and kind to one another. We're almost done.

STEP 2

Repeat the above, fitting the other Large Drawer immediately above the Bottom Drawer.

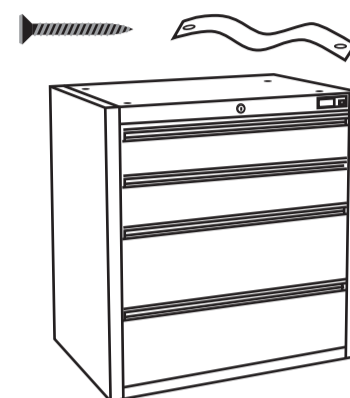
Last Steps: You guessed it! Same-same for the Small Drawers on top (except this time it's easier, because you're dealing with single Runners).



YOU'VE DONE IT! CUE WARM INNER FEELING OF SATISFACTION.

Stand back and marvel at your Rack It PRO 4 Drawer Cabinet. Now all that's left to do is find the right space to put it. Be sure to fix the Safety Strap to the Top Panel of your Cabinet with a self-drilling TEK screw, and attach the other end of the strap to the wall – so it doesn't do anything crazy, like tip over.

We knew you had it in you!



OPTIONS

Now is the time to enjoy tossing these instructions in the recycling. And, don't forget, if rolling's your thing, you can add Rack It PRO Castors (sold separately). And if you want to take your Cabinet to the next level, it's easy to fix a Rack It PRO 2 Door Unit on top.

RACK IT PRO CASTOR KIT (item 01907, sold separately).

Easily fix PRO Castors to make a rolling 4 Drawer unit.

Stack and join a **RACK IT PRO 2 DOOR CABINET** (item 01902) on top of your **RACK IT PRO 4 DRAWER CABINET**.

WARNING: DO NOT STACK 2 x 4 DRAWER CABINETS.

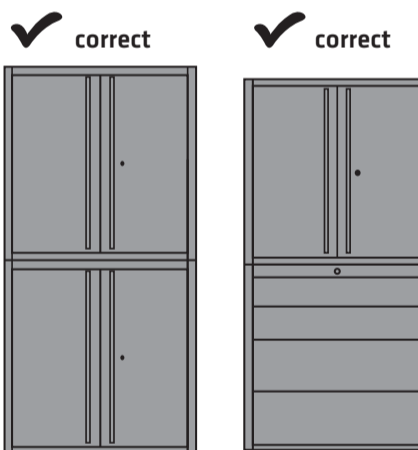
The Top Panel (Part E) is supplied with 4 x pre-fitted nuts.

The Bottom Panel of the 2 DOOR unit has matching pre-punched holes so the 2 units can be bolted together.

4 x fixing points to join 2 Cabinets



JOINING 2 RACK IT PRO CABINETS TOGETHER



DO NOT FIX 2 x 4 DRAWER UNITS!

X incorrect



THIS PRODUCT SHOULD BE ANCHORED TO THE WALL OR OTHER SUITABLE SURFACE TO AVOID SERIOUS INJURY OR DEATH.

To help avoid any serious injury or death, this product has been supplied with a Wall Strap to prevent toppling. We strongly recommend that this product be permanently fixed to the wall or other suitable surface. Fixing devices are not included since different surface materials require different attachments. Please seek professional advice if you are in any doubt as to how to permanently fix the product or as to what fixing devices to use. Check anchors regularly.