

TOOLS REQUIRED: Phillips Head Screwdriver, Stud Finder, Electric Drill, Rubber Mallet (or a Hammer - gently does it), Pencil, Spirit Level

WARNING: HANDLE CUT METAL EDGES CAREFULLY

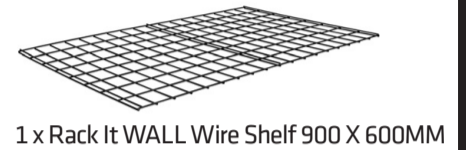
SAFETY TIP

When assembling or installing this product wear protective gloves and eyewear

YOUR HEADACHE-FREE GUIDE TO RACK IT LIKE A BOSS

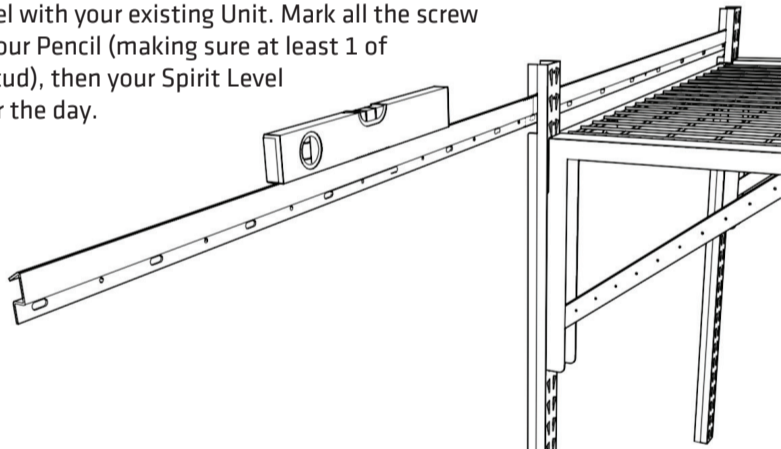
You've got this! We know because you take pride in your passions. Take care of your stuff. That's why you purchased this Rack It WALL Add On Kit. You're particular. And we like that. Because we know you'll take the time to check off all the Parts listed below and to read through these Assembly Instructions before you start. Cue Farnsey (or Beyoncé - whatever lifts you). **Let's do this**

PARTS LIST:

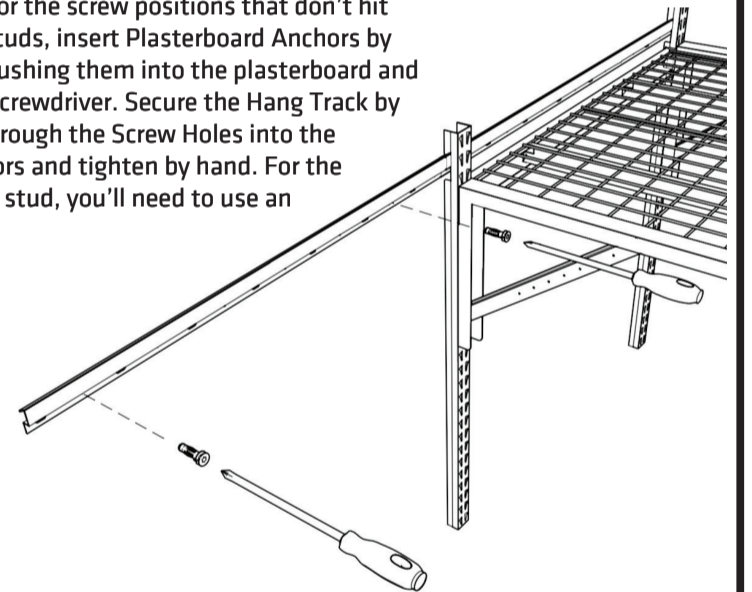


STAGE 1: TRACK IT

STEP 1 Pick a wall. Not just any wall. The wall next to your existing Rack It WALL Unit. Grab your trusty Stud Finder (meep-meep) and a Pencil, and find and mark at least 1x stud in line with your existing WALL Unit's Hang Track. Place your new Hang Track on the wall next to your existing Wall Unit's Hang Track, and use your Spirit Level to (you guessed it) check your Track is level with your existing Unit. Mark all the screw positions with your Pencil (making sure at least 1 of them is over a stud), then your Spirit Level can knock off for the day.

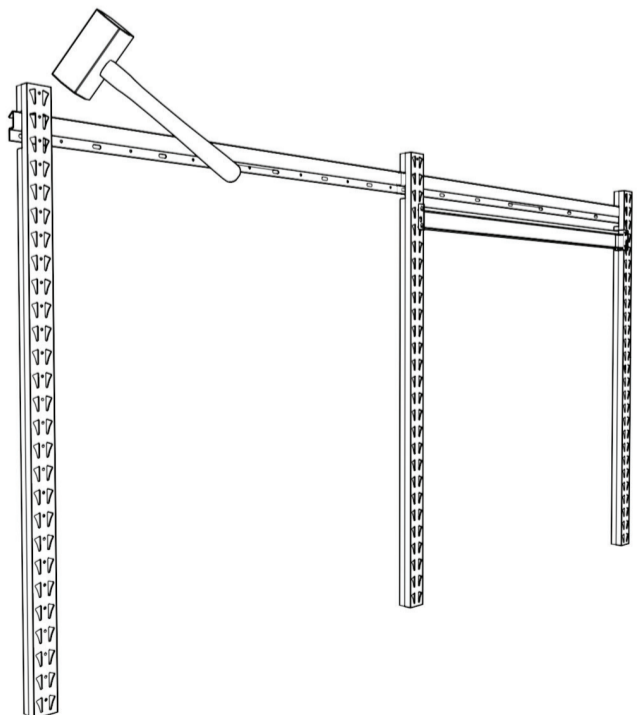


STEP 2 For the screw positions that don't hit studs, insert Plasterboard Anchors by pushing them into the plasterboard and tighten with your Screwdriver. Secure the Hang Track by inserting Screws through the Screw Holes into the Plasterboard Anchors and tighten by hand. For the Screw that hits the stud, you'll need to use an Electric Drill.

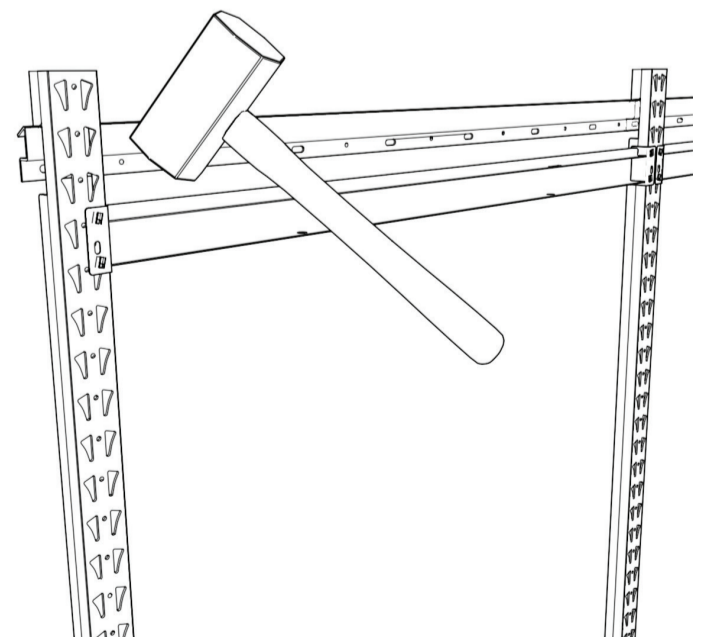


STAGE 2: HANG IT

STEP 1 You'll need to unload your precious stuff off your existing WALL Unit for now, and disassemble that Unit to allow room for your Add On Kit's Back Beam to be attached. Don't be sad, it's for the greater good. Hang your WALL Strip off the floating end of the Hang Track (as shown) - you'll use the WALL Strip of your adjacent existing WALL Unit at the other end. We planned ahead.

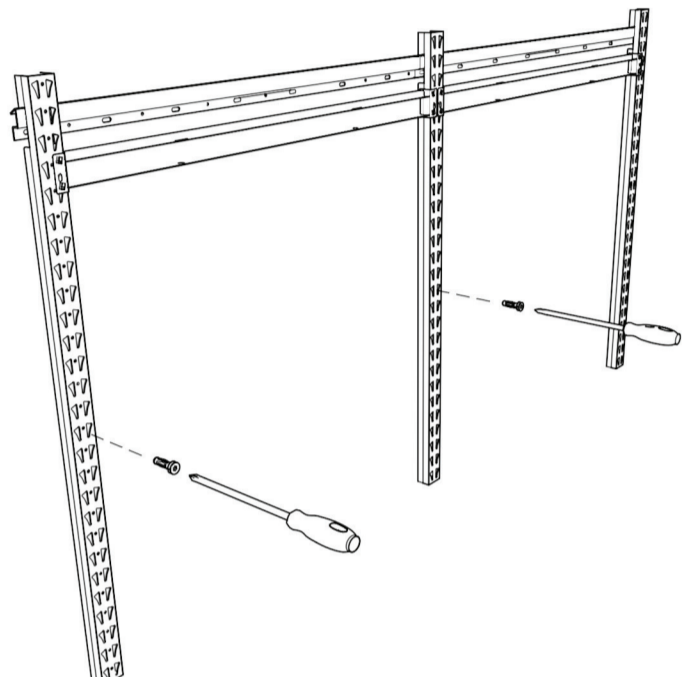


STEP 2 Attach a Back Beam to the back of the Wall Strips at your desired height. Gently does it here, as your new Wall Strip isn't yet fixed to the wall. Tap into place with a Rubber Mallet (or gently with a Hammer).



STEP 3

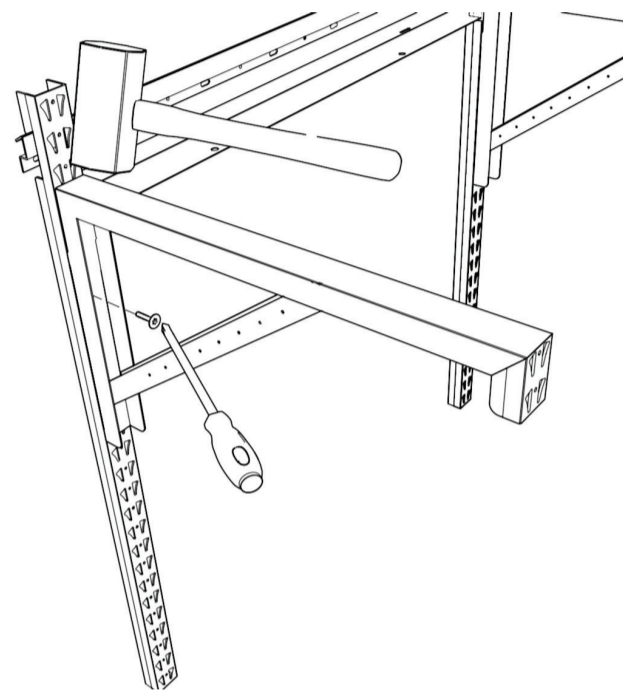
Use your Pencil to mark the screw points of your new WALL Strip. Then remove your new WALL Strip from your Hang Track so you can insert Plasterboard Anchors into the screw spots. Put your WALL Strip back on the Hang Track (take a second here to check the Screw Holes line up with your Plasterboard Anchors) and Screw this badboy onto the wall.



STAGE 3: RACK IT

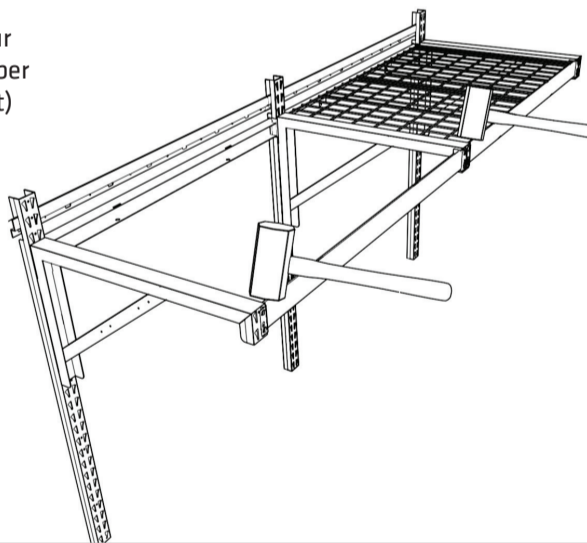
STEP 1

Reattach your Bracket to the Hang Track of your original Wall Unit so that the top of the Bracket lines up with the Back Beam. Then hook your Add On Bracket onto the new Wall Strip (as shown) so that it lines up with the others. Tap tap with your Rubber Mallet or Hammer (gently does it). Fix both Brackets off with the Screws provided.



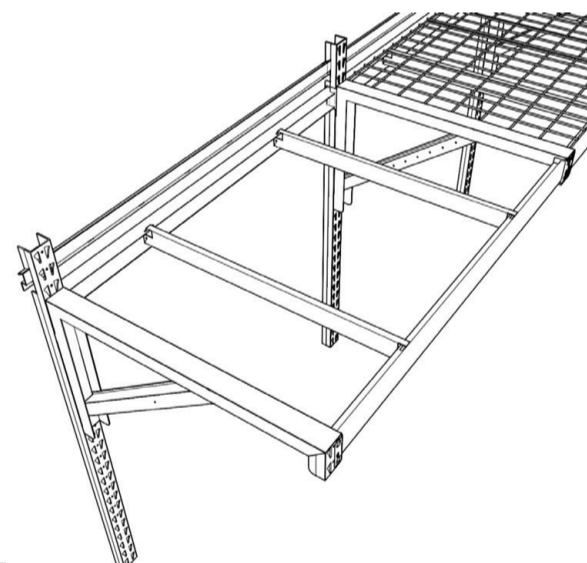
STEP 2

Hook your Front Beams onto your Brackets. Tap tap with your Rubber Mallet or Hammer (gently does it) and fix in place with the Screws provided.



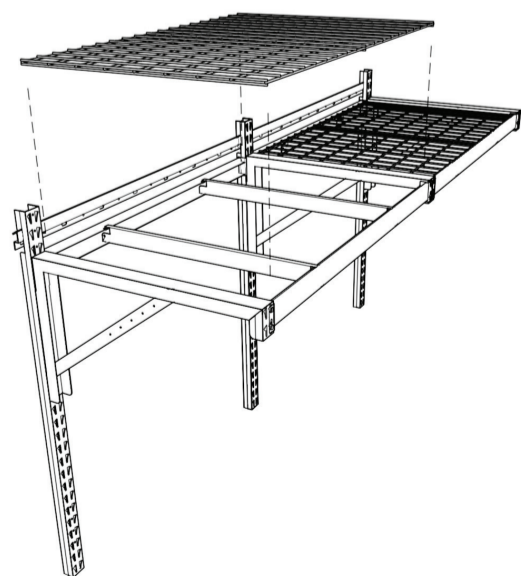
STEP 3

Slide all of your Support Braces into place: one end in the Front Beam and one in the Back Beam.

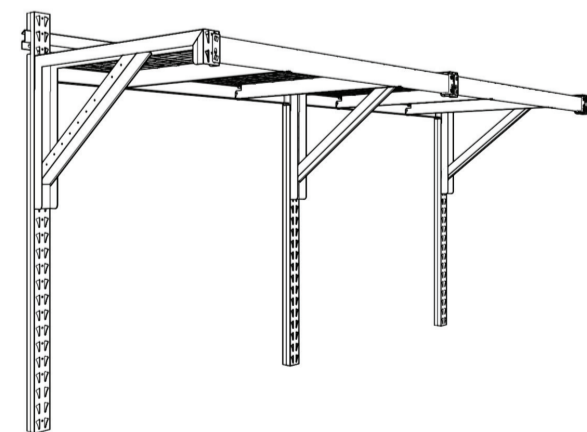


STEP 4

Once you're happy with the height and that all the Brackets, Braces and Beams are in place, lay your Wire Shelf on top and, voila! Your Rack It 900mm Wall Add On Kit is done.



You've done it! Cue warm inner feeling of satisfaction. Stand back and marvel at your Rack It 900mm WALL Add On Kit. Now all that's left to do is stack up to **100kg** of your precious stuff on top (alongside the 100kg of precious stuff on your original Wall Unit). Now is also the time to enjoy tossing these instructions in the recycling.



And, don't forget, if you love your new, new Wall Unit so much you just want to store even more of your best stuff up top, you can always add on another Add On Kit, before you get carried away and overload this one. We knew you had it in you!